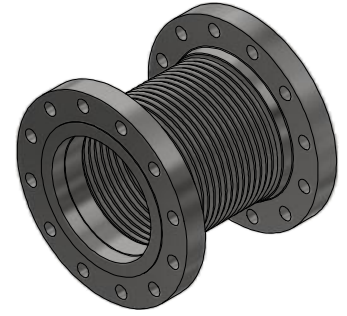
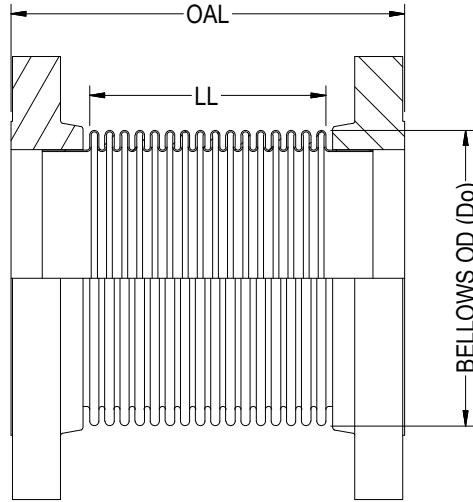


TYPE SU-06



ISOMETRIC VIEW

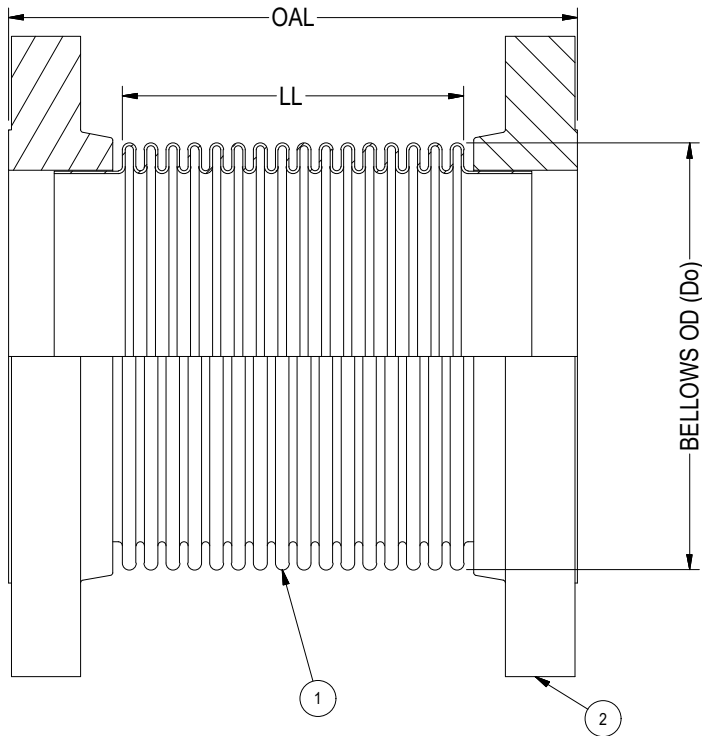
PIPE SIZE	BELLOWS OD (Do)	LIVE LENGTH (LL)	OVERALL LENGTH (OAL)
1	1.63	3.75	6.00
1	1.60	5.76	8.00
1.25	2.05	3.73	6.00
1.25	2.00	5.73	8.00
1.5	2.30	3.46	6.00
1.5	2.30	5.43	8.00
2	2.95	3.19	6.00
2	2.89	5.23	8.00
2.5	3.50	2.84	6.00
2.5	3.50	4.84	8.00
3	4.13	4.43	6.00
3	4.30	2.49	8.00
3.5	4.90	2.29	6.00
3.5	4.88	4.25	8.00
4	5.50	2.02	6.00
4	5.50	8.04	12.00
4	5.50	19.94	24.00
5	6.50	7.80	12.00
5	6.50	19.74	24.00
6	7.60	7.67	12.00
6	7.60	19.62	24.00
8	10.00	2.66	8.00
8	10.00	6.94	12.00

PIPE SIZE	BELLOWS OD (Do)	LIVE LENGTH (LL)	OVERALL LENGTH (OAL)
8	9.80	18.66	24.00
10	11.90	2.45	8.00
10	12.00	6.57	12.00
10	12.00	18.45	24.00
12	13.90	2.02	8.00
12	13.90	6.10	12.00
12	14.25	17.89	24.00
14	15.50	5.78	12.00
14	15.50	17.67	24.00
16	17.50	11.19	18.00
16	17.50	17.23	24.00
18	19.50	4.77	12.00
18	19.25	10.80	18.00
18	19.50	16.77	24.00
20	21.50	4.35	12.00
20	21.65	10.28	18.00
20	21.65	16.28	24.00
22	23.80	3.96	12.00
22	23.70	9.42	18.00
22	23.70	14.94	24.00
24	25.90	3.45	12.00
24	25.60	9.32	18.00
24	25.65	15.33	24.00

NOTES:

1. FLANGES ARE OF 300# RFSO. (ANSI B16.5 BOLT PATTERN)
2. FLANGE MATERIAL: ASTM A-105. FOR OTHER OPTIONAL MATERIAL PLEASE CONTACT BSI.
3. OAL IS BASED ON LIVE LENGTH. FOR OTHER OPTIONAL LENGTH PLEASE PROVIDE THEM IN THE SPECIFICATION SHEET.
4. BELLOWS MATERIAL: ASTM A-240 GRADE 304. OTHER MATERIALS (STAINLESS STEEL, NICKEL ALLOYS ETC.) ARE AVAILABLE ON REQUEST.
5. AVAILABLE IN 1 PLY, 2 PLY (STD) OR 3 PLY DESIGNS.
6. SPECIFY DESIGN/OPERATING TEMPERATURE & PRESSURE IN PAGE 2.
7. FOR MOVEMENTS AND LIFE CYCLE REFER TO BELLOWS CATALOG OR CONTACT BSI ENGINEERING.

				 Bellows Systems		BELLOWS SYSTEMS, INC. Houston, TX www.bellows-systems.com	
						SINGLE EXPANSION JOINT STD. TYPE SU-06 W/ 300# RFSO FLG	
REV.	DESCRIPTION	DATE:	BY:	CHKD:	APPD:	CAGE CODE: 22727	
E	UPDATED PART NO.	11/8/2023	UG				
D	UPDATED NOTES	09/11/2023	UG				
THIS DRAWING AND ALL OF THE INFORMATION HEREIN ARE THE SOLE PROPERTY OF BELLOWS SYSTEMS, INC. AND MAY NOT BE REPRODUCED OR DISTRIBUTED WITHOUT THE EXPRESS WRITTEN CONSENT OF BELLOWS SYSTEMS, INC. (BSI).				SHEET SIZE: 8.5" x 11"	DRAWN BY: U GULATI	DATE: 03/13/2023	SCALE: AS SHOWN
						DRAWING NUMBER: 130-CAT-0006	SHEET#: 1 OF 2 REV. E



		1	2	3	4
DIM.:	PIPE/ NOMINAL SIZE:				
	OVERALL LENGTH (OAL):				
DESIGN:	PRESSURE:				
	TEMPERATURE:				
MOV. & LIFE CYLS:	AXIAL COMPRESSION:				
	AXIAL EXPANSION:				
	LATERAL:				
	ANGULAR:				
MATLS.:	① BELLOWS:				
	② FLANGE:				
DESIGN CODES/STANDARDS: (EJMA/ ASME SECT VII DIV I/ ASME B 31.1/ ASME B 31.3)					
APPLICATION NOTES:					
QUANTITY:					

OPTIONAL FEATURES:

1. FIXED & FLOATING FLANGE (SEE TYPE-16)
2. FLOW LINER (SEE TYPE-26).
3. CONTROL RODS (SEE TYPE-46).
4. EXTERNAL COVER.

 Bellows Systems						BELLOWS SYSTEMS, INC. Houston, TX www.bellows-systems.com						
						SINGLE EXPANSION JOINT TYPE SU-06 SPECIFICATION SHEET						
REV.	DESCRIPTION	DATE:	BY:	CHKD:	APPD:	CAGE CODE: 22727	DRAWING BY:	DATE:	SCALE:	DRAWING NUMBER:	SHEET#:	REV.
E	UPDATED PART NO.	11/8/2023	UG				U GULATI	03/13/2023	AS SHOWN	130-CAT-0006	2 OF 2	E
D	UPDATED NOTES	09/11/2023	UG									
<small>THIS DRAWING AND ALL OF THE INFORMATION HEREIN ARE THE SOLE PROPERTY OF BELLOWS SYSTEMS, INC. AND MAY NOT BE REPRODUCED OR DISTRIBUTED WITHOUT THE EXPRESS WRITTEN CONSENT OF BELLOWS SYSTEMS, INC. (BSI).</small>						SHEET SIZE: 8.5" x 11"						